

DESCRIPTION	PAGE(S)
E6	1
E62TL	2
E62FNVS	3
E6HGS	4
Half Glass 9-Lite Conversion Kits	5
E6 – 8'0" High	6
E8	7
E6 wide	8
2P, 2PA, 2PAP High Definition panel	9

PANEL DOOR TECHNICAL DATA

April 1, 2002

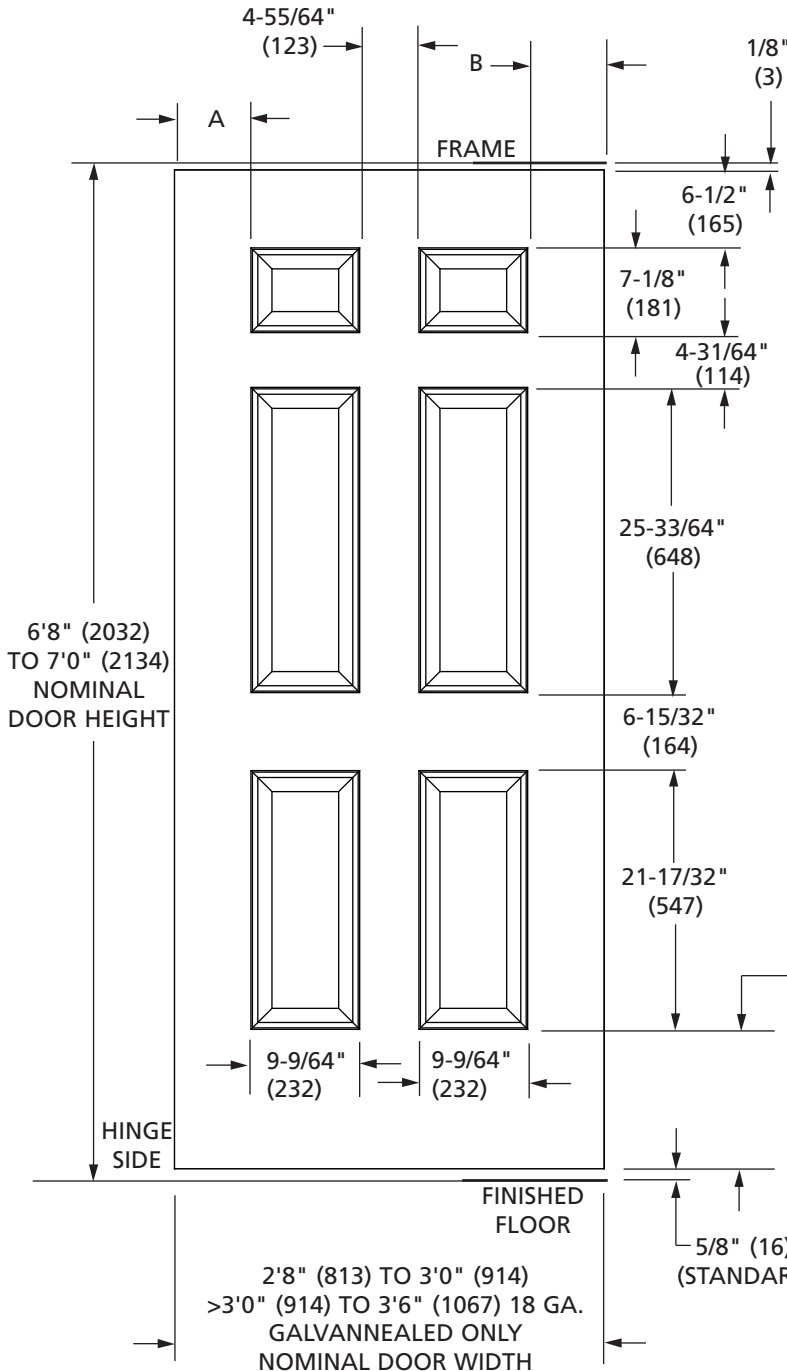


ASSA ABLOY

ASSA ABLOY, the global leader
in door opening solutions



16 GA. (1.2) and 18 GA. (1.2) GALVANNEALED
18 GA. (1.2) COLD ROLLED STEEL
(POLYSTYRENE CORE)



NOMINAL DOOR WIDTH

	<u>A DIM.</u>	<u>B DIM.</u>
2'8" (813)	3-19/64" (84)	5-3/8" (137)
2'10" (864)	5-19/64" (135)	5-3/8" (137)
3'0" (914)	6-11/32" (161)	6-11/32" (161)
3'4" (1016)	8-11/32" (212)	8-11/32" (212)
3'6" (1067)	9-11/32" (237)	9-11/32" (237)

UP TO 3 HR. FIRE RATING

CYLINDRICAL LOCK STANDARDS.*
MORTISE LOCK STANDARDS.*
PANIC REINF. STANDARDS.*

*VERIFY HARDWARE ADAPTABILITY TO
EMBOSSED PANEL DESIGN

BEVELS AVAILABLE

"A" BEVEL, "B" BEVEL, NON-HANDED

7-5/8" (194)
(6'8" (2032) NOMINAL DOOR HEIGHT)**
11-5/8" (295)
(7'0" (2134) NOMINAL DOOR HEIGHT)**

**10" (254) MINIMUM TO SATISFY ANSI
A117.1 (ADA) REQUIREMENTS

2 E62TL – Panel Door

PANEL DOOR TECHNICAL DATA

July 1, 2003

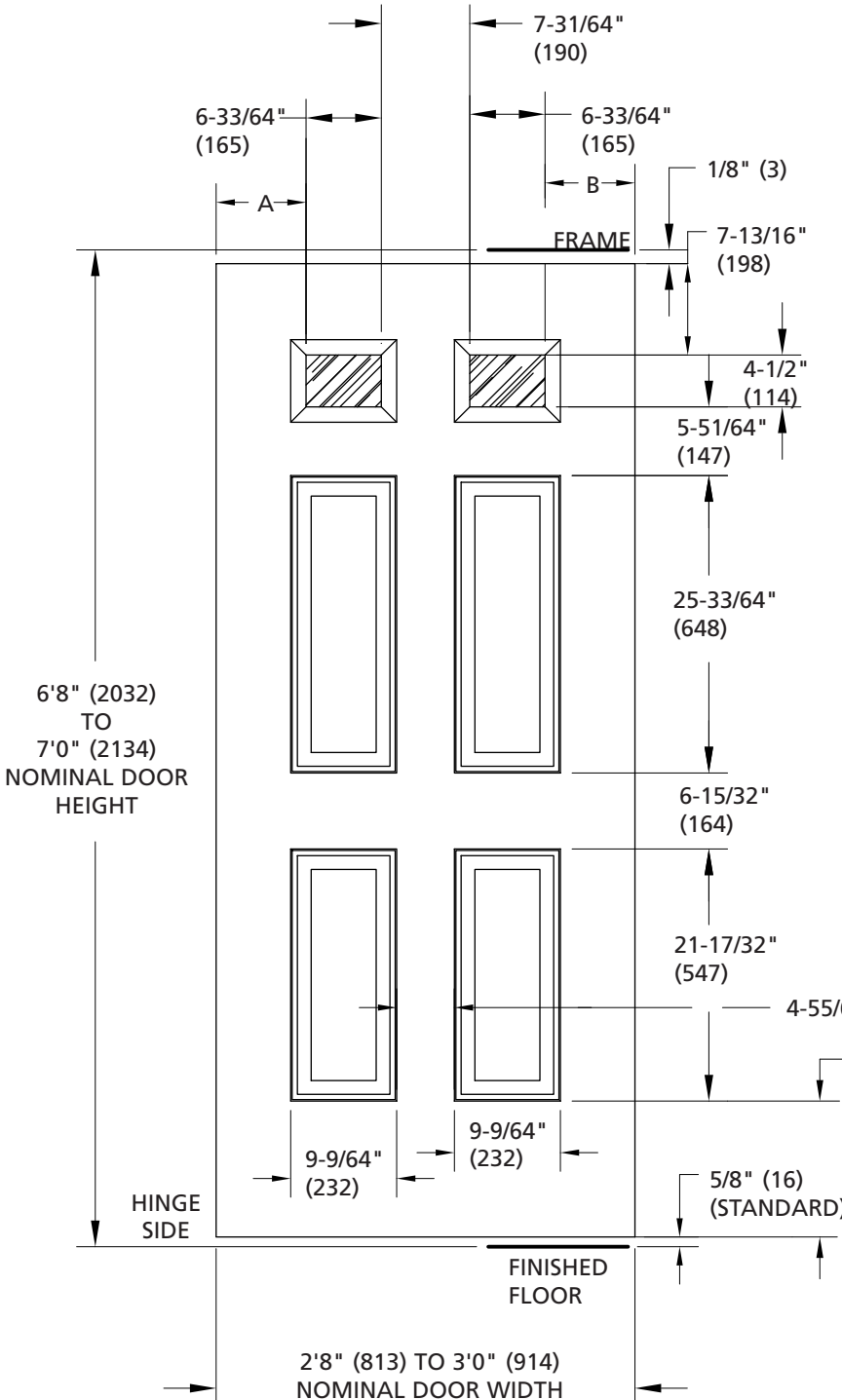


ASSA ABLOY

ASSA ABLOY, the global leader
in door opening solutions



18 GA. (1.2) GALVANNEALED
(POLYSTYRENE CORE)



NOMINAL DOOR WIDTH	A DIM.	B DIM.
2'8" (813)	4-39/64" (117)	6-11/16" (170)
2'10" (864)	6-39/64" (168)	6-11/16" (170)
3'0" (914)	7-21/32" (194)	7-21/32" (194)

UP TO 1-1/2 HR. FIRE RATING
VARIES WITH GLAZING USED
6" MIN. STILE REQUIRED

TYPE 1 OR 2 GLASS MOULDING.

CYLINDRICAL LOCK STANDARDS.*
MORTISE LOCK STANDARDS.*
PANIC REINF. STANDARDS.*

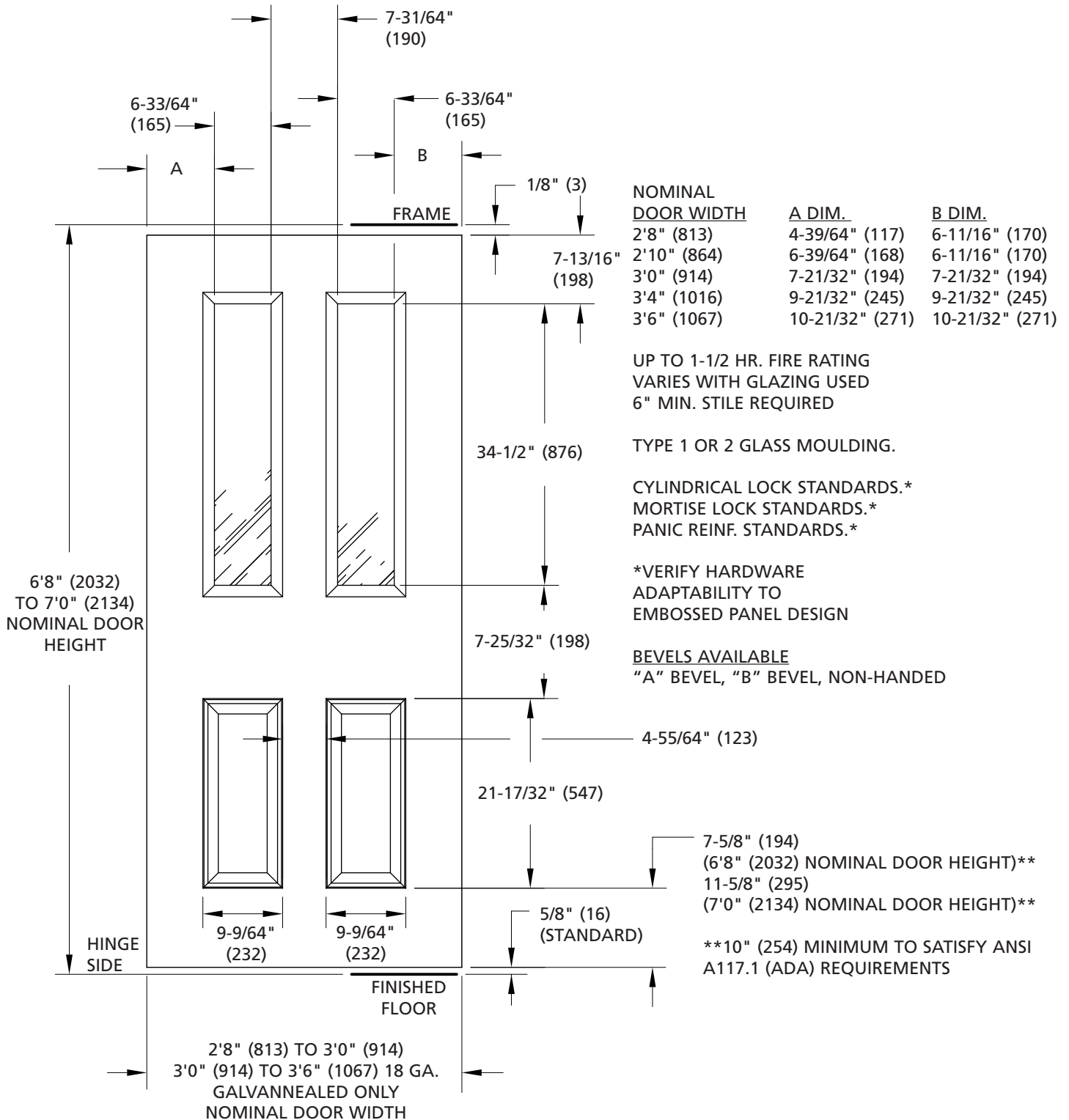
*VERIFY HARDWARE
ADAPTABILITY TO
EMBOSSED PANEL DESIGN

BEVELS AVAILABLE
"A" BEVEL, "B" BEVEL, NON-HANDED

7-5/8" (194)
(6'8" (2032) NOMINAL DOOR HEIGHT)**
11-5/8" (295)
(7'0" (2134) NOMINAL DOOR HEIGHT)**

**10" (254) MINIMUM TO SATISFY ANSI
A117.1 (ADA) REQUIREMENTS

18 GA. (1.2), GALVANNEALED
18 GA. (1.2) COLD ROLLED STEEL
(POLYSTYRENE CORE)



4 E6HGS – Panel Door

PANEL DOOR TECHNICAL DATA

July 1, 2003

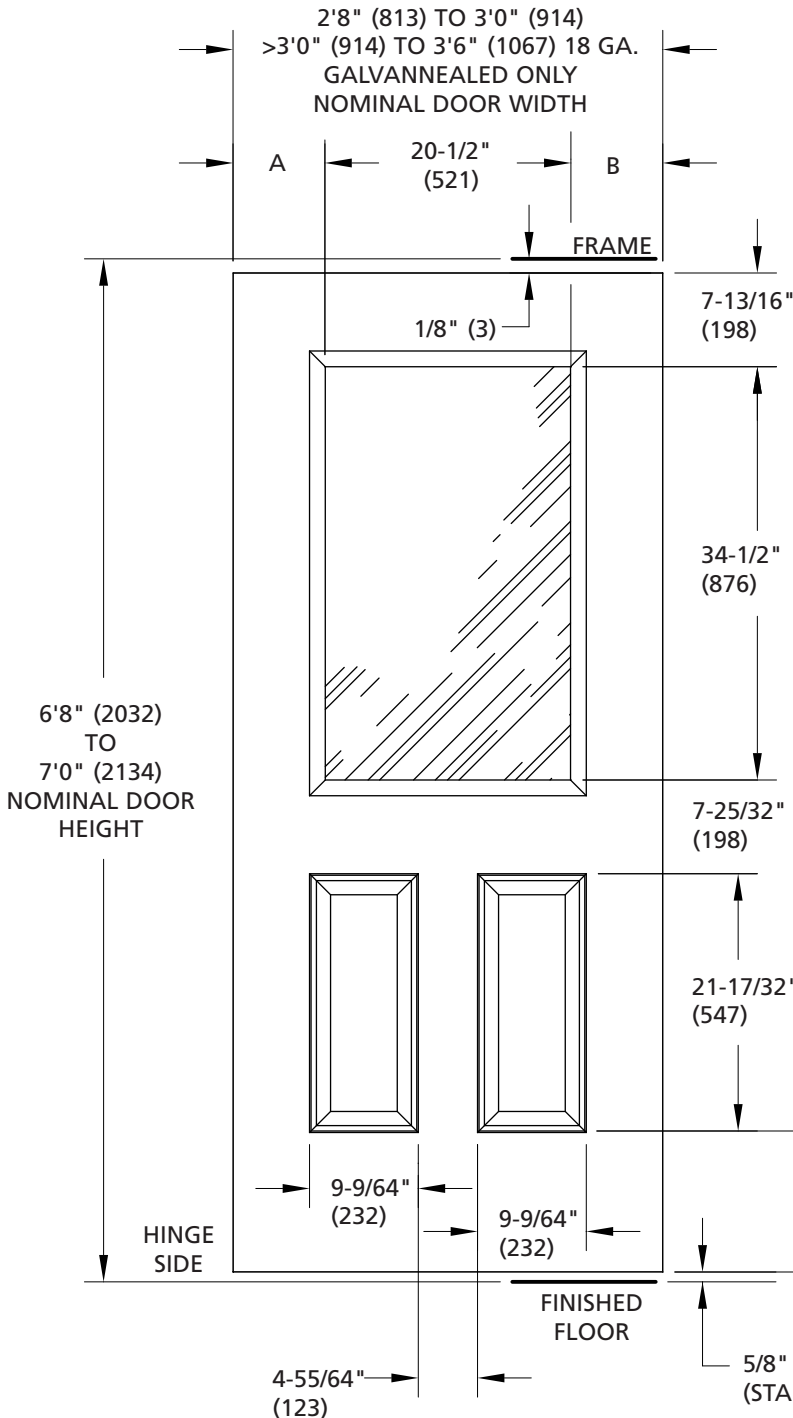


ASSA ABLOY

ASSA ABLOY, the global leader
in door opening solutions



18 GA. (1.2), GALVANNEALED
18 GA. (1.2) COLD ROLLED STEEL
(POLYSTYRENE CORE)



NOMINAL DOOR WIDTH	A DIM.	B DIM.
2'8" (813)	4-5/8" (117)	6-11/16" (170)
2'10" (864)	6-5/8" (168)	6-11/16" (170)
3'0" (914)	7-21/32" (194)	7-21/32" (194)
3'4" (1016)	9-21/32" (245)	9-21/32" (245)
3'6" (1067)	10-21/32" (271)	10-21/32" (271)

UP TO 1-1/2 HR. FIRE RATING
VARIES WITH GLAZING USED
6" MIN. STILE REQUIRED

TYPE 1 OR 2 GLASS MOULDING.

CYLINDRICAL LOCK STANDARDS.*
MORTISE LOCK STANDARDS.*
PANIC REINF. STANDARDS.*

*VERIFY HARDWARE
ADAPTABILITY TO
EMBOSSED PANEL DESIGN

BEVELS AVAILABLE
"A" BEVEL, "B" BEVEL, NON-HANDED

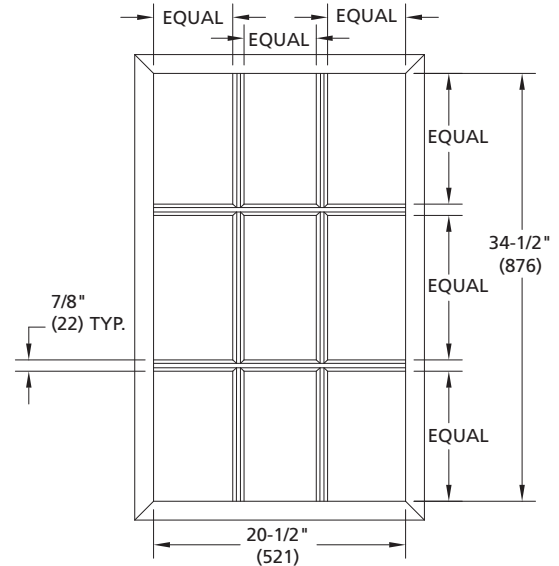
7-5/8" (194)
(6'8" (2032) NOMINAL DOOR HEIGHT)**
11-5/8" (295)
(7'0" (2134) NOMINAL DOOR HEIGHT)**

**10" (254) MINIMUM TO SATISFY ANSI
A117.1 (ADA) REQUIREMENTS

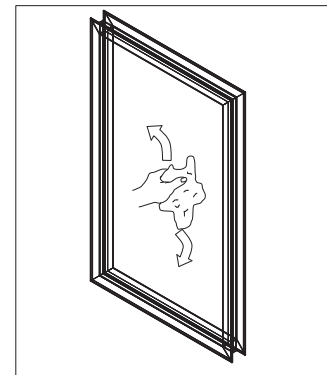
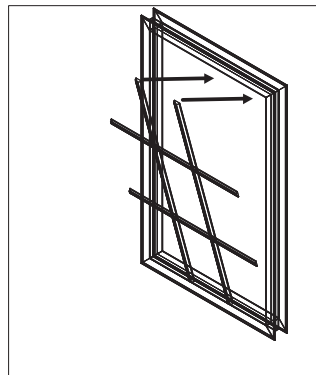
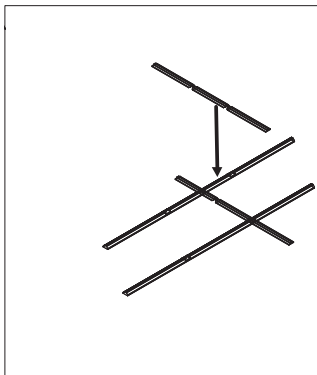


GENERAL NOTES:

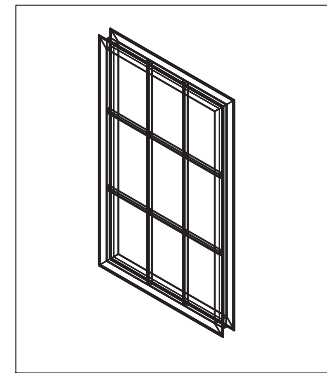
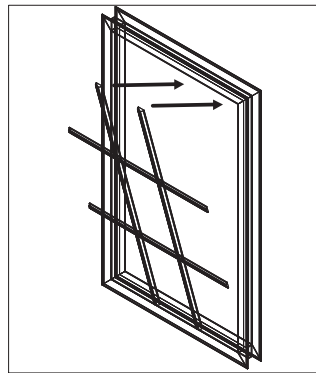
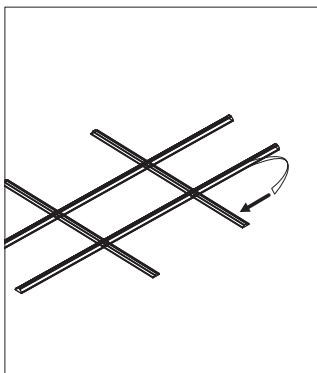
- YOU MAY CLEAN THE GLASS WITH A COMMERCIAL GLASS CLEANER, HOWEVER GLASS MUST BE PRIMED WITH RUBBING ALCOHOL PRIOR TO APPLICATION.
- IT IS RECOMMENDED THAT THE INSTALLATION BE COMPLETED IN A CONTROLLED ENVIRONMENT (I.E., A WORKSHOP).
- ONCE THE TAPE CONTACTS THE GLASS, THE GRILLE CANNOT BE REPOSITIONED OR REMOVED.
- DIMENSIONS AND LOCATIONS OF EMBOSSMENTS AND LITE ARE DETAILED ON THE E6HGS TECHNICAL DATA PAGE. MUNTIN KITS ARE PROVIDED AS A SET (FRONT AND BACK) LABELED (WHITE ALUMINUM, MS007013) OR NON-LABELED (WHITE PVC, MS007039)



INSTALLATION PROCEDURE



- 1) LEAVING THE LINER ON THE TAPE, ASSEMBLE THE GRILLE. CHECK FIT OF THE GRILLE TO THE GLASS.
- 2) MAKE CERTAIN THAT THE GRILLE LAYS FLAT ON THE GLASS WITH A SLIGHT GAP AT THE ENDS.
- 3) PRIME THE GLASS BY SPRAYING WITH RUBBING ALCOHOL. WIPE CLEAN WITH A LINT-FREE CLOTH.
- 4) WAIT ONE TO THREE MINUTES TO ALLOW ANY RESIDUAL MOISTURE TO EVAPORATE.



- 5) CAREFULLY REMOVE ALL PLASTIC LINERS ON THE TAPE SIDE OF THE GRILLE.
- 6) POSITION THE GRILLE OVER THE GLASS WITHOUT TOUCHING THE GLASS SURFACE. TWO PEOPLE CAN BETTER ACCOMPLISH THIS POSITIONING, ESPECIALLY WITH LARGER SIZES. REMEMBER, ONCE THE GRILLE MEETS THE GLASS IT CANNOT BE REPOSITIONED.
- 7) VERY CAREFULLY, LOWER THE GRILLE TO THE GLASS SURFACE.
- 8) USING A ROLLER, APPLY MODERATE PRESSURE (NO MORE THAN 15 PSI) AND PRESS ALL GRILLE AREAS TO THE GLASS TO IMPROVE ADHESION.
- 9) REPEAT THE PROCEDURE ON THE OTHER SIDE OF THE GLASS.

6 E6 – 8'0" High Panel Door

PANEL DOOR TECHNICAL DATA

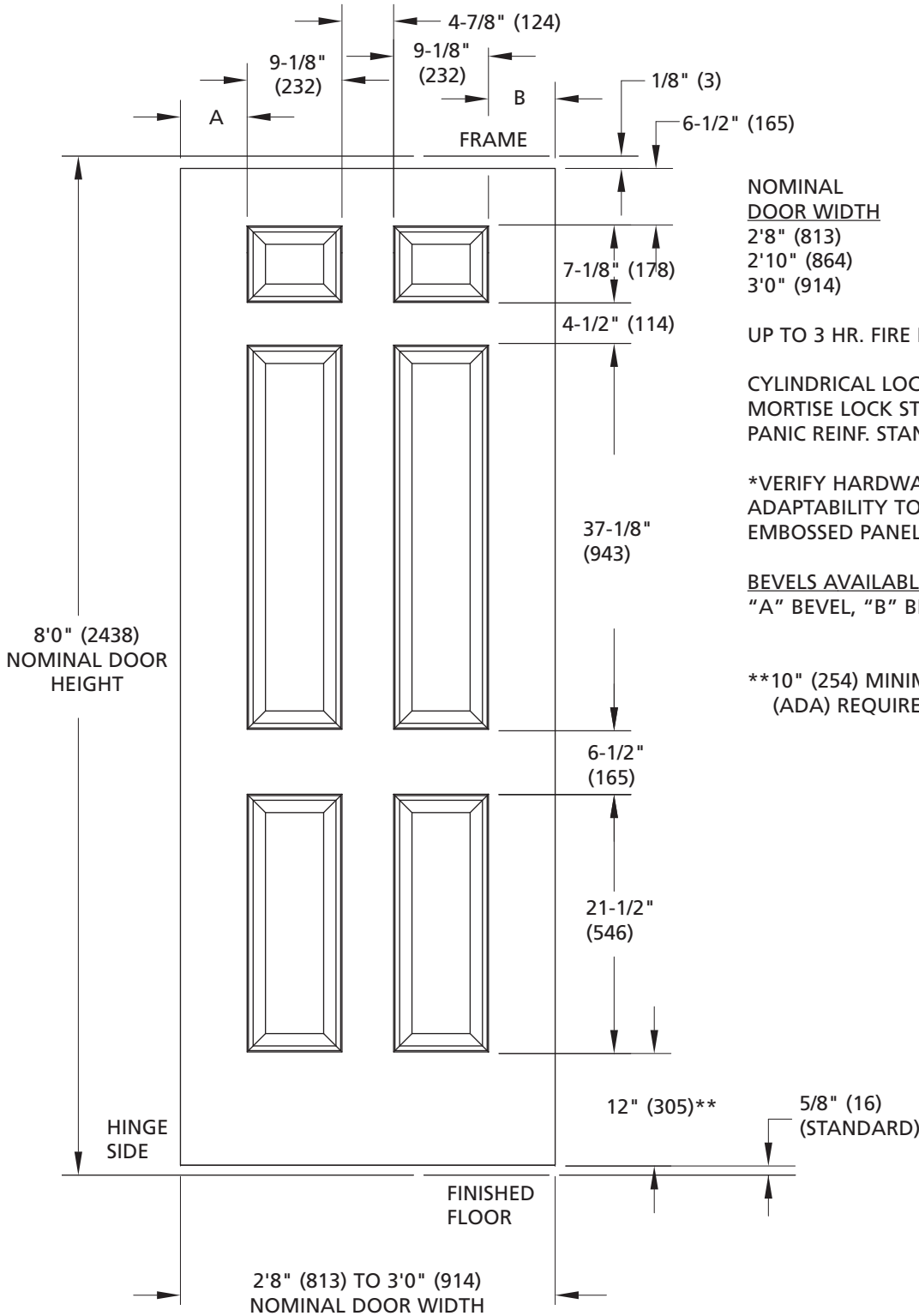
July 1, 2003



ASSA ABLOY, the global leader
in door opening solutions



18 GA. (1.2) GALVANNEALED
(POLYSTYRENE CORE)



NOMINAL DOOR WIDTH	A DIM.	B DIM.
2'8" (813)	3-5/16" (84)	5-3/8" (137)
2'10" (864)	5-5/16" (135)	5-3/8" (137)
3'0" (914)	6-11/32" (161)	6-11/32" (161)

UP TO 3 HR. FIRE RATING

CYLINDRICAL LOCK STANDARDS.*
MORTISE LOCK STANDARDS.*
PANIC REINF. STANDARDS.*

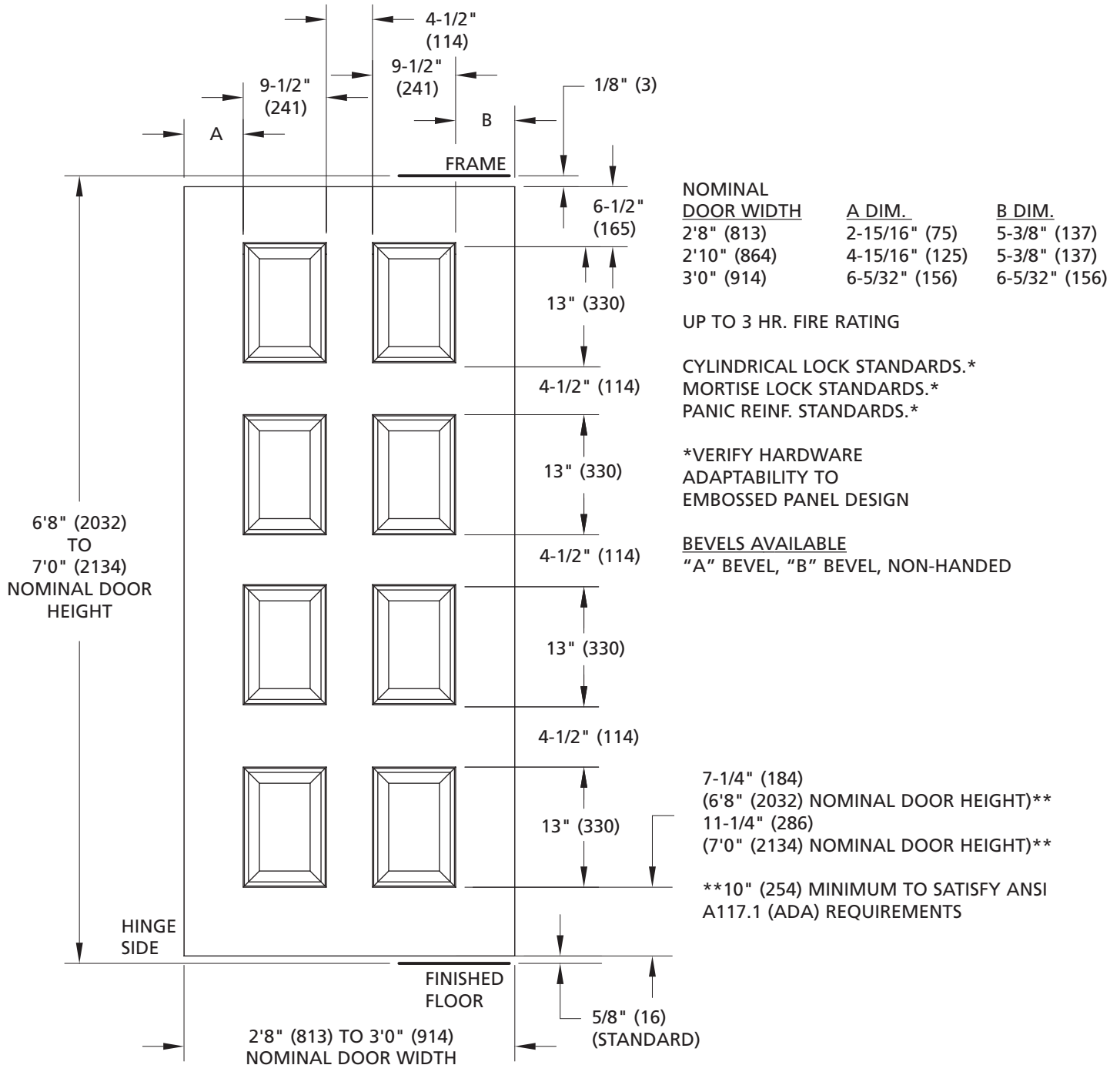
*VERIFY HARDWARE
ADAPTABILITY TO
EMBOSSED PANEL DESIGN

BEVELS AVAILABLE
"A" BEVEL, "B" BEVEL, NON-HANDED

**10" (254) MINIMUM TO SATISFY ANSI A117.1
(ADA) REQUIREMENTS



18 GA. (1.2) GALVANNEALED
(POLYSTYRENE CORE)



8 E6 Wide – Panel Door

PANEL DOOR TECHNICAL DATA

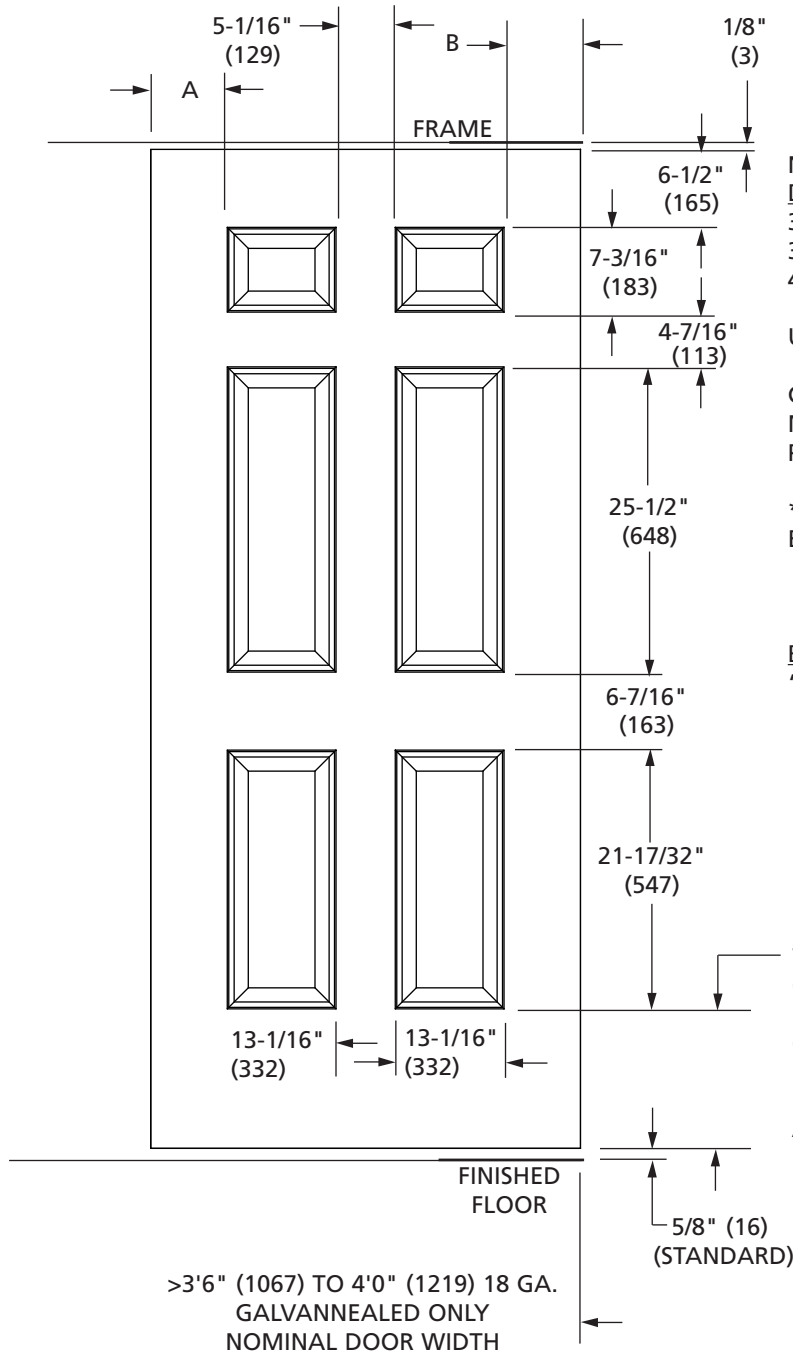
November, 2007



ASSA ABLOY, the global leader
in door opening solutions



18 GA. (1.2) GALVANNEALED
(POLYSTYRENE CORE)



NOMINAL DOOR WIDTH	A DIM.	B DIM.
3'8" (1118)	6-13/32" (163)	6-13/32" (163)
3'10" (1168)	7-13/32" (188)	7-13/32" (188)
4'0" (1219)	8-13/32" (214)	8-13/32" (214)

UP TO 3 HR. FIRE RATING

CYLINDRICAL LOCK STANDARDS.*
MORTISE LOCK STANDARDS.*
PANIC REINF. STANDARDS.*

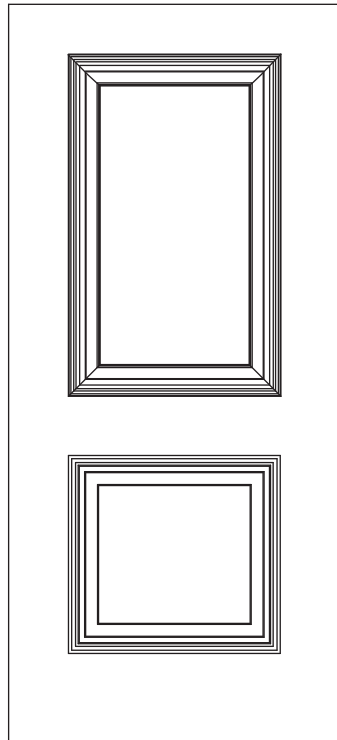
*VERIFY HARDWARE ADAPTABILITY TO
EMBOSSED PANEL DESIGN

BEVELS AVAILABLE

"A" BEVEL, "B" BEVEL, NON-HANDED

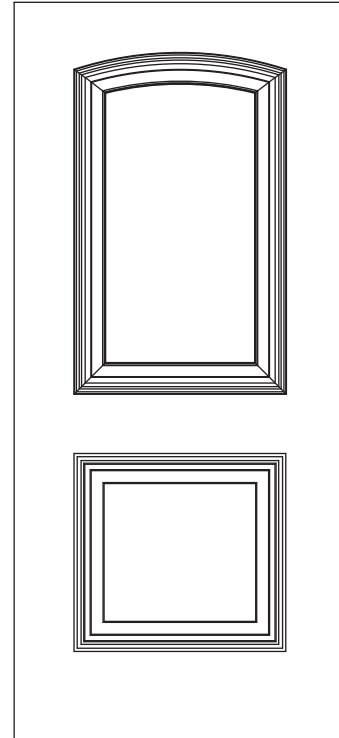
7-21/32" (194)
(6'8" (2032) NOMINAL DOOR HEIGHT)**
11-21/32" (296)
(7'0" NOMINAL DOOR HEIGHT)**

**10" (254) MINIMUM TO SATISFY ANSI
A117.1 (ADA) REQUIREMENTS

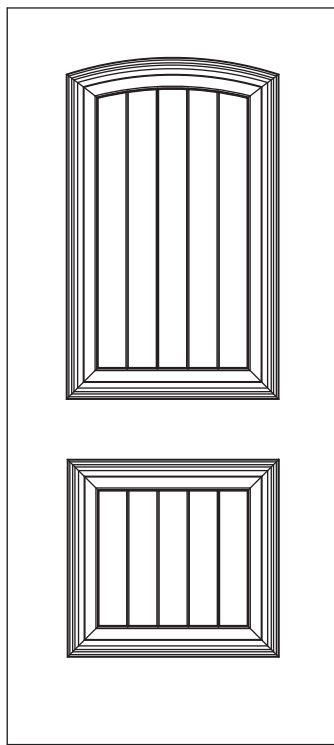
**2P****FACE SHEET MATERIAL:**

2P EMBOSSED,
2PA ARCHED AND
2PAP PLANKED ARCHED
2-PANEL DESIGN DOORS

18 GAUGE GALV.

**2PA**

FINISHED FLOOR

**2PAP**

FINISHED FLOOR

- AVAILABLE IN 6-8 AND 7-0 HEIGHTS ONLY
- AVAILABLE IN 2-8 AND 3-0 WIDTHS ONLY
- CYLINDRICAL LOCK PREP AVAILABLE ON ALL WIDTHS LISTED
- MORTISE LOCK PREP AVAILABLE ON 3-0 ONLY
- THE BOTTOM RAIL DIMENSION WILL INCREASE BY 1" & THE TOP RAIL WILL DECREASE BY THIS AMOUNT WHEN ADA COMPLIANT DOORS ARE REQUESTED (2-PANEL 6-8 DOORS ONLY)