

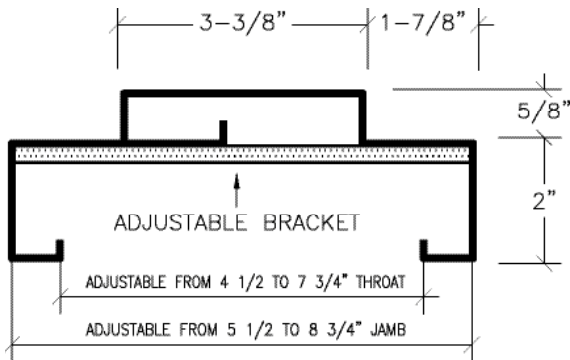
Frame Specifications

- Galvanneal steel
- 1 1/2 pair - 4 1/2" high frequency hinge reinforcements
- ASA (4 7/8") strike prep
- Bumper/silencer holes (3 @ strike jambs & 2 @ double heads)
- All double heads undersized by 1/8" from nominal width
- Mechanical K.D. corner connection

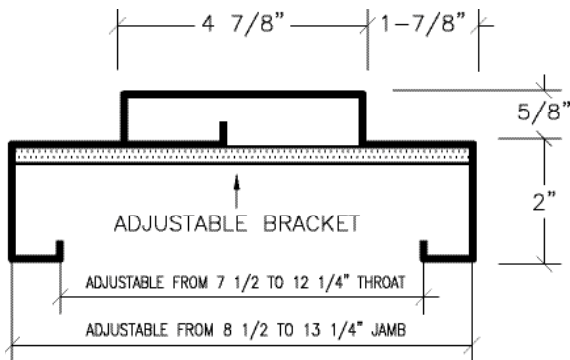
Pricing Includes

- Faces punched & dimpled for wall anchoring
- #7 x 2 1/2" screws included (6 per jamb, 4 per head)
- WHI label embossment standard on 6'8" and 7'0" hinge jambs
- Pre-punched label holes standard on non embossed hinge jambs

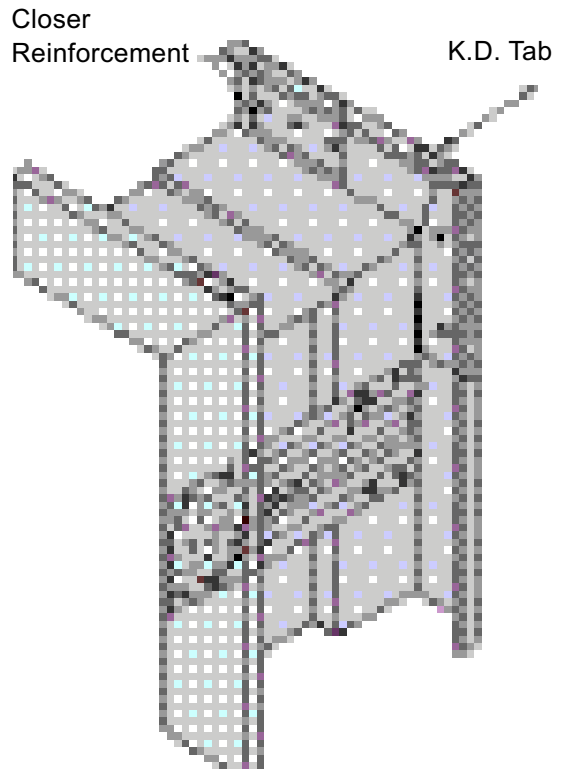
8 3/4" EXP JAMB

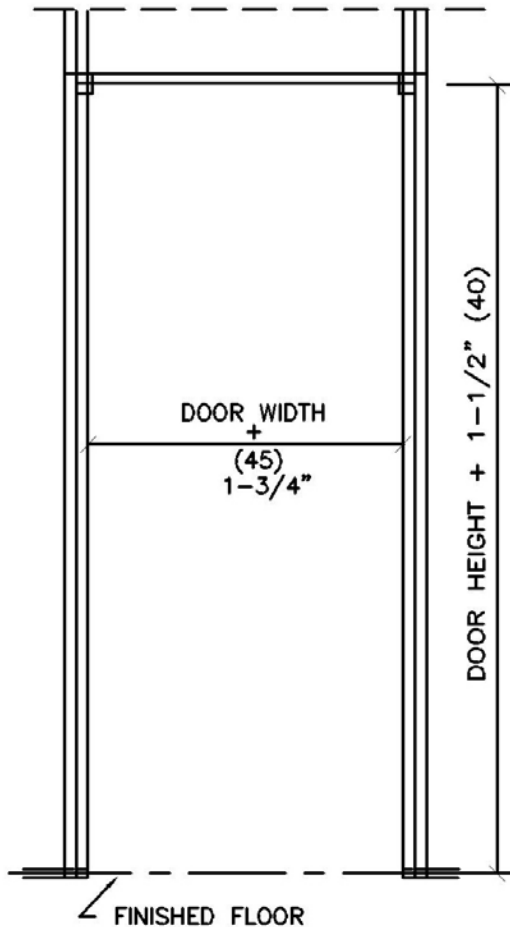
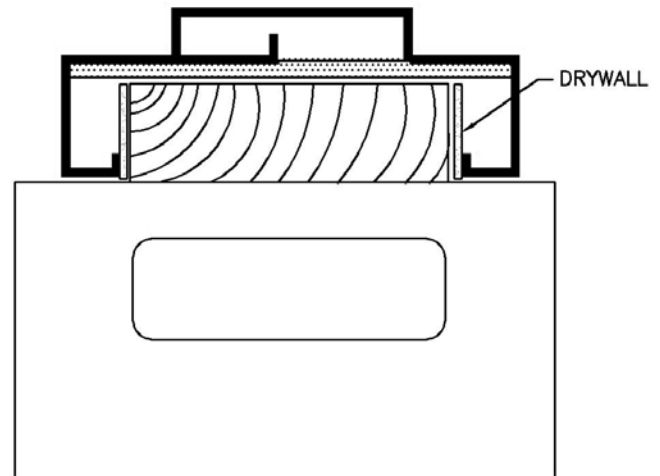


13 1/4" EXP JAMB



CORNER DETAIL



**ROUGH OPENING
DRYWALL INSTALLATION****MASONRY INSTALLATION**

(DO NOT FILL JAMB WITH MORTAR)

INSTALLATION DETAILS

- 1) Install header into position.
- 2) Install hinge jamb starting at top. Engage corner and slide into position.
- 3) Install strike jamb in same manner as hinge jamb.
- 4) Adjust frame for proper clearances. Plumb and level.
- 5) Secure with #7 x 2 1/2" countersink screws.

FRAME ESTIMATING

OPENING	FRAME SIZE		ADJUSTABLE JAMB DEPTH	
	WIDTH	HEIGHT	5 1/2" - 8 3/4"	8 1/2" - 13 1/4"
Single	2'0" to 3'0"	6'8"	\$ 207.50	\$ 276.00
		7'0"	\$ 214.50	\$ 285.00
		8'0"	\$ 250.00	\$ 323.00
Single	3'2" to 4'0"	6'8"	\$ 217.50	\$ 290.00
		7'0"	\$ 224.50	\$ 299.00
		8'0"	\$ 260.00	\$ 337.00
Double	4'0" to 6'0"	6'8"	\$ 247.00	\$ 320.00
		7'0"	\$ 254.00	\$ 330.00
		8'0"	\$ 284.00	\$ 366.00
Double	6'2" to 8'0"	6'8"	\$ 267.00	\$ 346.00
		7'0"	\$ 274.50	\$ 356.00
		8'0"	\$ 304.00	\$ 392.00

COMPONENT PRICING

JAMB & HEAD SIZES		ADJUSTABLE JAMB DEPTH	
		5 1/2" - 8 3/4"	8 1/2" - 13 1/4"
Hinge Jamb	6'8"	\$ 86.50	\$ 111.00
	7'0"	\$ 90.00	\$ 116.00
	8'0"	\$ 105.00	\$ 134.00
Strike or Blank Jamb	6'8"	\$ 82.00	\$ 107.00
	7'0"	\$ 85.50	\$ 111.00
	8'0"	\$ 102.00	\$ 131.00
Heads (In 2" Increments Only)	2'0" to 3'0"	\$ 39.00	\$ 58.00
	3'2" to 4'0"	\$ 49.00	\$ 72.00
	4'0" to 6'0"	\$ 74.00	\$ 98.00
	6'2" to 8'0"	\$ 94.00	\$ 124.00